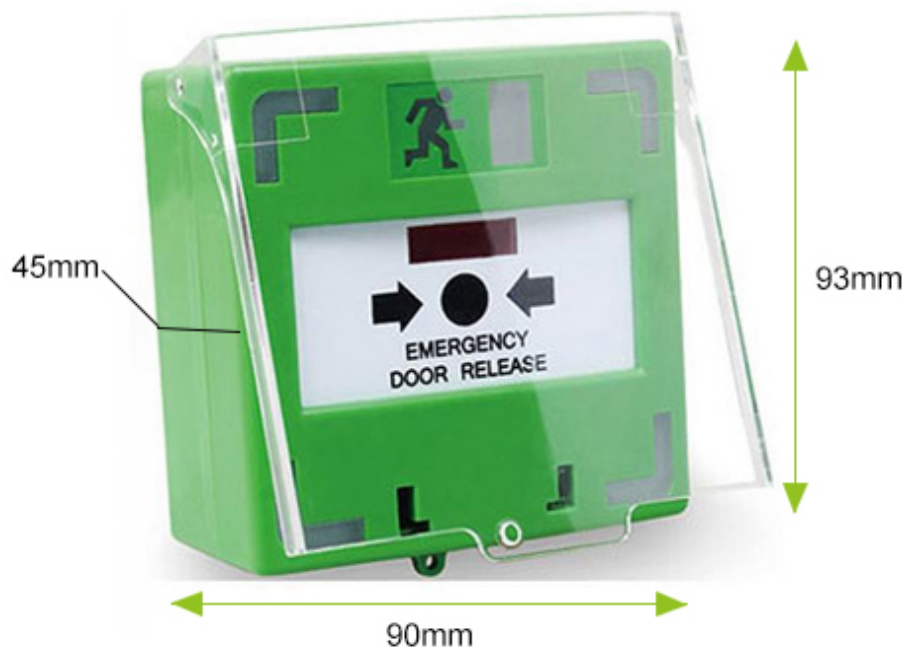


# Resettable Switch Call Point



EB-20G

## Dimensions(mm)



## Specifications

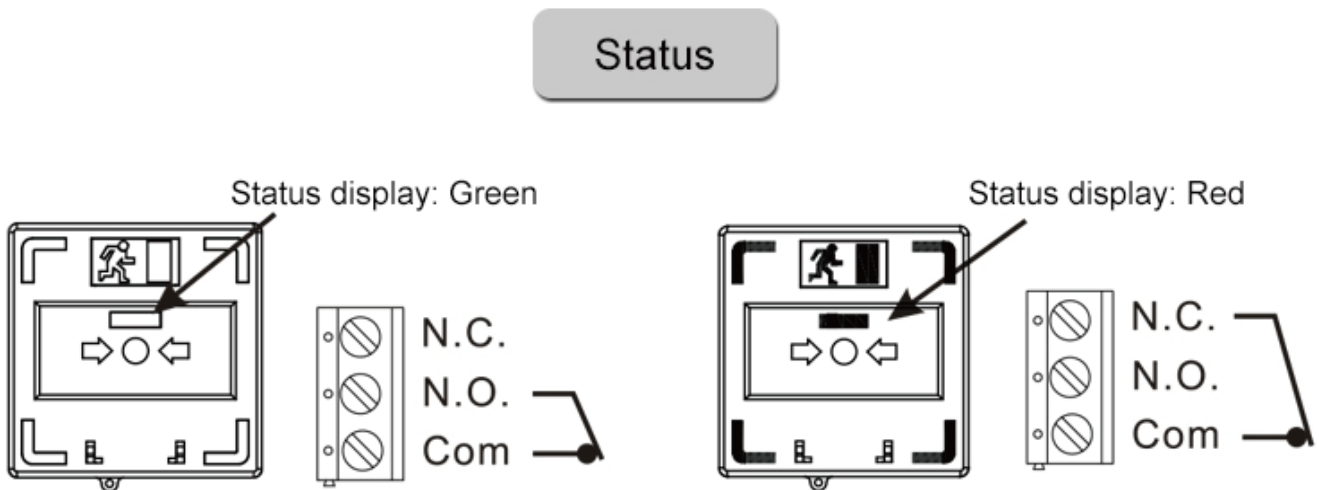
Model No.:	EB-20G (LED/Buzzer)	EB-20G (Without LED)
Power Supply:	DC 12V ~ DC 24V ffl5%	X
Operation current:	DC 12V: 18mA(standby) / 75mA(operation) ffl5%	X
	DC 24V: 11mA(standby) / 41mA(operation) ffl5%	X
Buzzer:	Set as silent, interval buzzing, or continuous buzzing.	X

Indicator:	Dual-color (red and green).	X
	Red indicator to set blinking, off or on.	
Output:	N.O.、N.C & COM. Output (Maximum load of 125V/3A)	
Material:	ABS, PC	
Dimensions:	90L x 93W x 45H (mm)	
Weight:	208g	192g

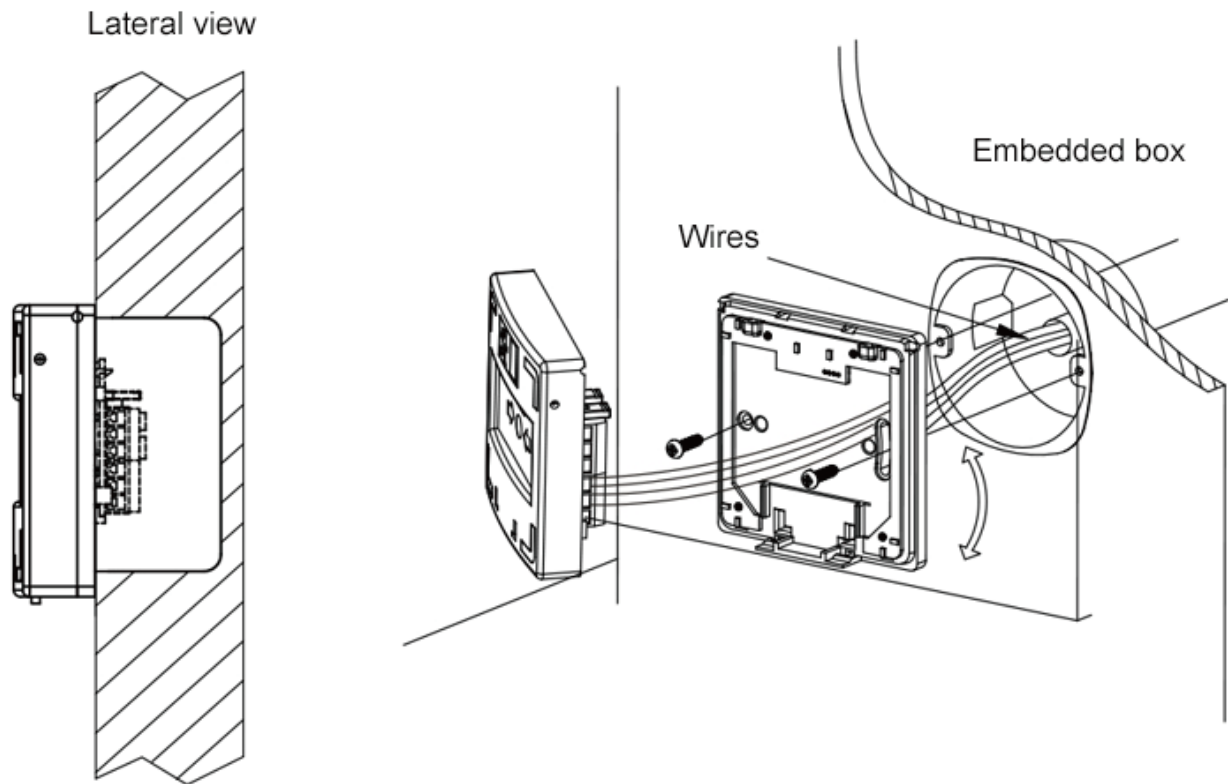
## Features

- > Red or green case to select (it is suggested to select a red case for the fire alarm system and the green case for access control system).
- > Resettable design, EB-20G obvious indicators around the edges of the unit.
- > Press the pressing plate to set the red indicator.
- > Pressing plate with status (green and red) shown.
- > Reversionary key with non-slip design.
- > Input power range from DC12-24V to connect with all types of fire alarm systems.
- > Built-in buzzer status to set as silent, interval wailing, or continuous wailing. The Volume is adjustable.
- > Easy to assemble, the outer case without screws, 3 sets of output points to connect other equipment, embedded or surface installations to select.

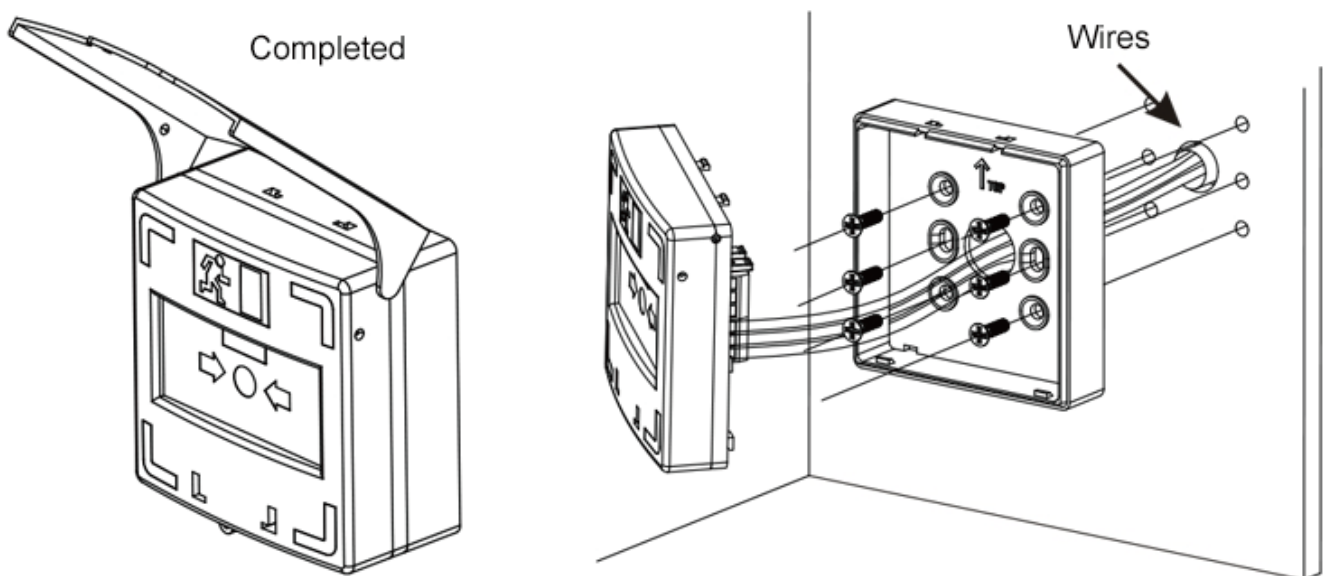
## wiring Diagram



## Embedded Installation



## Surface Installation



S4A Industrial Co., Limited

Address: The 2nd floor, Jinmin'an Industrial Zone, #529, Bulong Rd.  
Bantian St. Longgang Dist. Shenzhen, PRC.. CN 518131



Tel: +86 755 29450011

[www.s4a-access.com](http://www.s4a-access.com)