



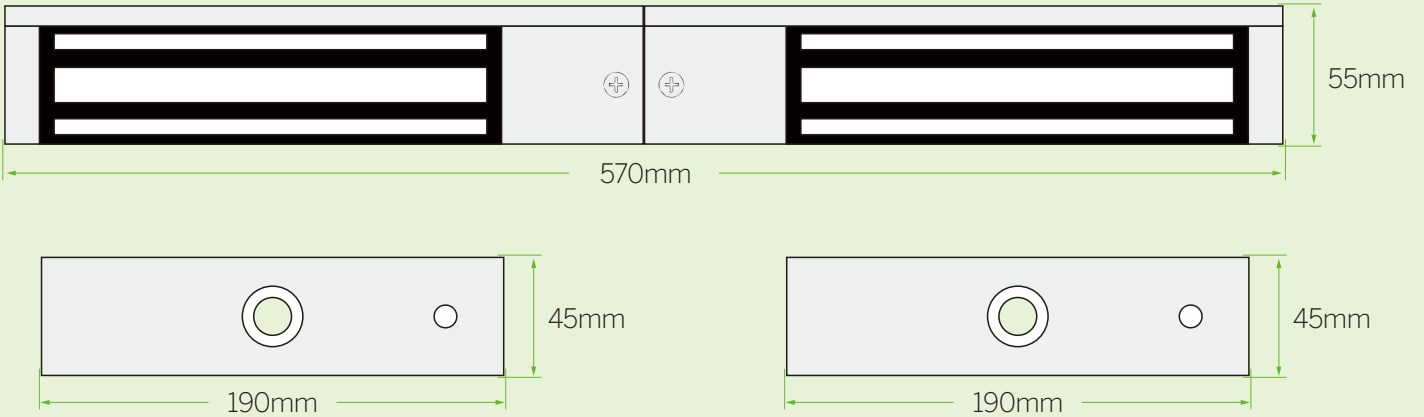
Double door 350KG
Electromagnetic lock

EL-800D, EL-800DS, EL-800DSD, EL-800DST

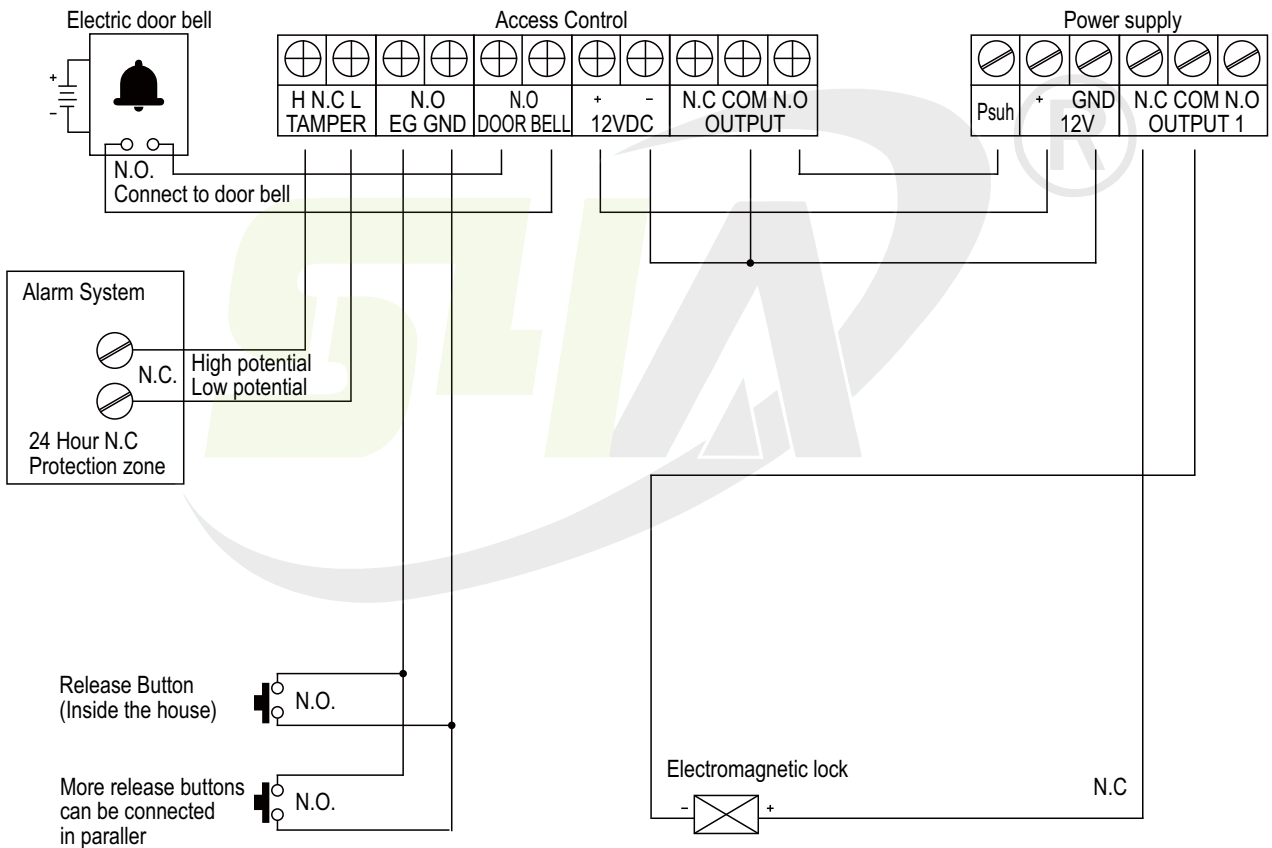
Specifications

EL-800D	Without Signal Output	
EL-800DS	With LED (Red only)	
EL-800DSD	LED, door sensor	
EL-800DST	LED, door sensor and time delay	
Lock Size	570Lx55Wx27.5H(mm)	
Armature Plate	190Lx45Wx11H(mm)	
Holding Force	350kgx2 (800Lbsx2)	
Voltage	DC12V or DC24V (adjustable)	
Current Draw	12V/480mAx2 24V/240mAx2	
Signal Output	Need to order EL-D350S	
Surface Temp	≤20°C	
Operating Temp	-10°C ~ 55°C (14°F~131°F)	
Suitable Humidity	0~90%(non-condensing)	
Finishes for Shell	Anodized aluminum	
Finishes for Magnetic	Zinc	
Finishes for Armature	Zinc	
Weight	5.4kg	
Standard Packing	4pcs	

Dimensions



Wiring diagram



S4A Industrial Co., Limited

Address: The 2nd floor, Jinmin'an Industrial Zone, #529, Bulong Rd. Bantian St. Longgang Dist. Shenzhen, PRC.. CN 518131



Tel: +86 755 29450011

www.s4a-access.com / Email: sales@s4a-access.com
Mob/Whatsapp/Wechat/Viber: +86 134 1050 0721